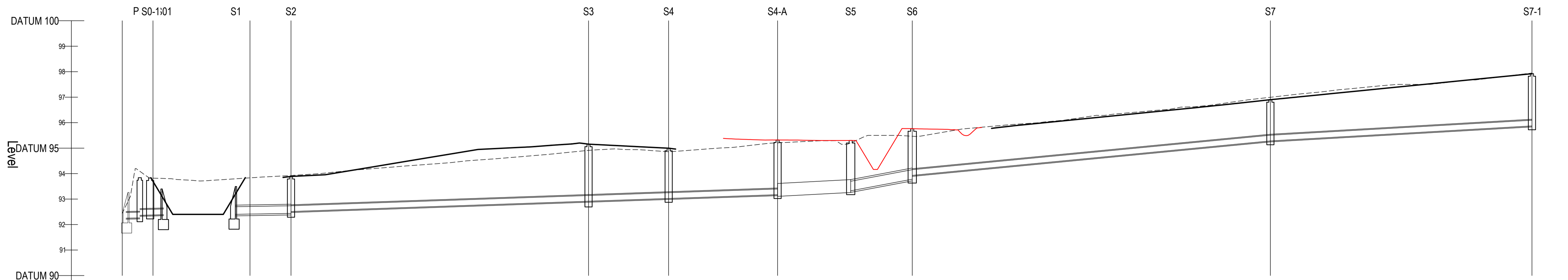


SCALE: H 1:500,V 1:100. DATUM: 90.000



COVER LEVEL		93.840	93.829	93.495		93.341		92.816	92.816	95.196		93.321	93.300	93.792		95.992		95.970	97.922	
INVERT LEVEL		92.283	92.283	92.286		92.401		92.407	92.512	93.889		93.172	93.325	93.325	93.779	93.909		95.870		
DEPTH (m)		1.577	1.456	1.109		0.940		1.452	1.377	1.973		0.149	0.025	0.025	0.070	0.009		0.120		
DISTANCE (m)		2.722	0.22	2.66		14.08		10.93		58.43		21.39		14.35	12.09			70.34		51.37
PIPE SLOPE		1:200	1:200	1:300		1:300		1:145		1:145		1:145		1:94	1:27			1:52		1:87
PIPE SIZE		225mm	225mm	300mm		300mm		225mm		225mm		225mm		375mm	375mm			225mm		225mm

ON ORIGINAL
0 5 10 15 20 25 30 40 50mm

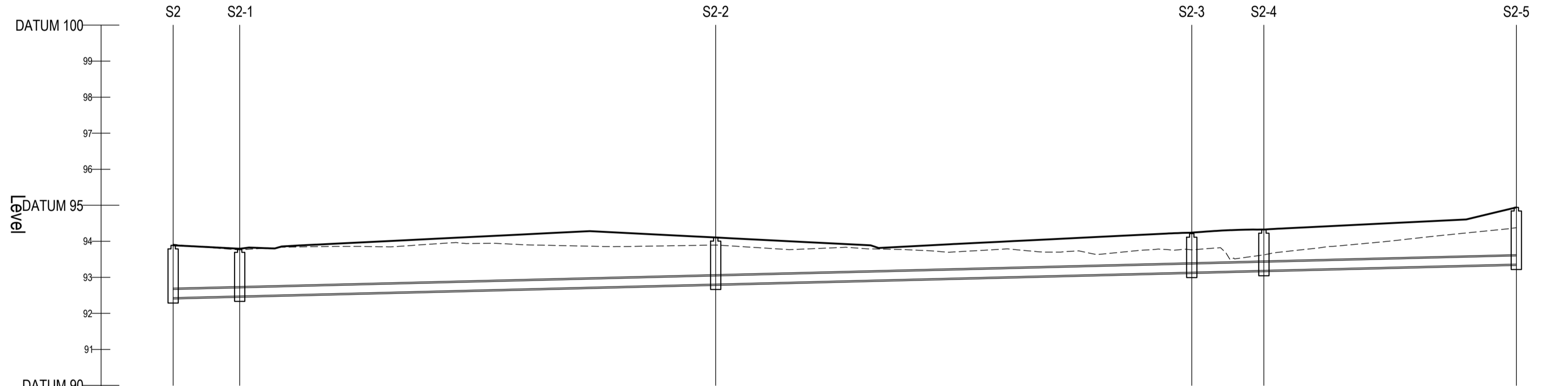
© COPYRIGHT OF THIS DRAWING IS RESERVED BY DBFL CONSULTING ENGINEERS. NO PART SHALL BE REPRODUCED OR TRANSMITTED WITHOUT THEIR WRITTEN PERMISSION.

NO CHANGES OF WHATSOEVER NATURE ARE TO BE MADE TO ANY DETAILS SET OUT OR CONTAINED IN ANY DBFL SPECIFICATIONS OR DRAWINGS UNLESS THE EXPRESS CONSENT HAS BEEN OBTAINED IN ADVANCE, IN WRITING, FROM DBFL.

NOTES:

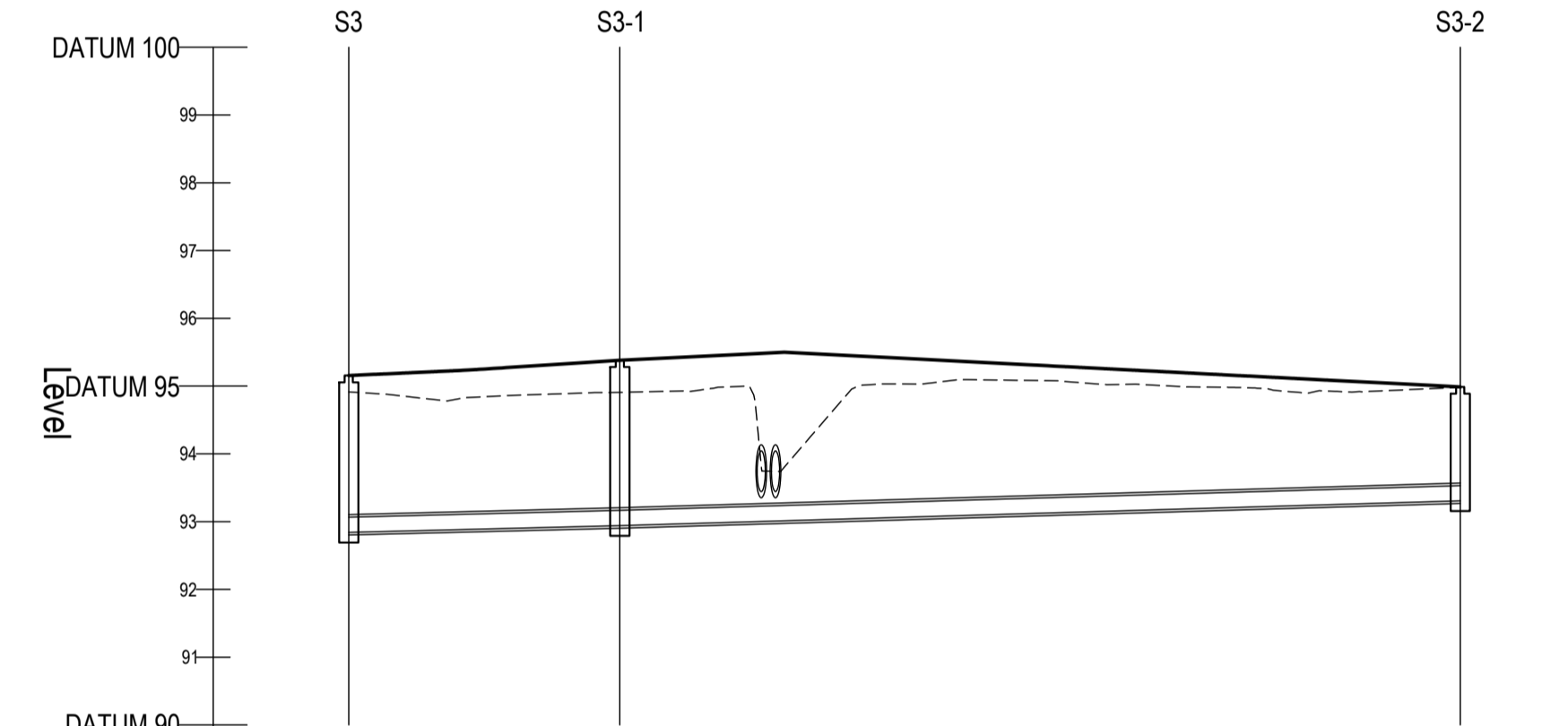
1. ALL DRAWINGS TO BE CHECKED BY CONTRACTOR ON SITE AND ENGINEER INFORMED OF DISCREPANCIES BEFORE WORK COMMENCES
2. ALL LEVELS ARE IN METRES AND ARE RELATED TO ORDNANCE DATUM
3. CONTRACTOR SHALL SATISFY HIMSELF AS TO THE ACCURACY OF PAVEMENT LEVELS ON SITE PRIOR TO COMMENCEMENT OF WORKS ON SITE
4. ALL WORKS TO BE CONSTRUCTED IN ACCORDANCE WITH THE NRA SPECIFICATION FOR ROAD WORKS UNLESS NOTED OTHERWISE
5. THIS DRAWING IS FOR PLANNING PURPOSES ONLY
6. MANHOLE COVER LEVELS ARE TO CONFORM WITH FINISHED ROAD AND PATH LEVELS
7. WHERE COVER TO PIPE IS LESS THAN 100mm (ROAD/PATH/VERGE) OR 500mm (OPEN SPACE) SURROUND PIPE IN MINIMUM 150mm CONCRETE

SCALE: H 1:500,V 1:100. DATUM: 90.000



COVER LEVEL		93.889		93.794		94.106		94.213		94.326		94.940
INVERT LEVEL		92.437		92.484		92.814		93.144		93.194		93.369
DEPTH (m)		1.452		1.311		1.292		1.069		1.133		1.572
DISTANCE (m)		9.22		66.00		66.00		10.00		35.00		
PIPE SLOPE		1:200		1:200		1:200		1:200		1:200		
PIPE SIZE		225mm		225mm		225mm		225mm		225mm		

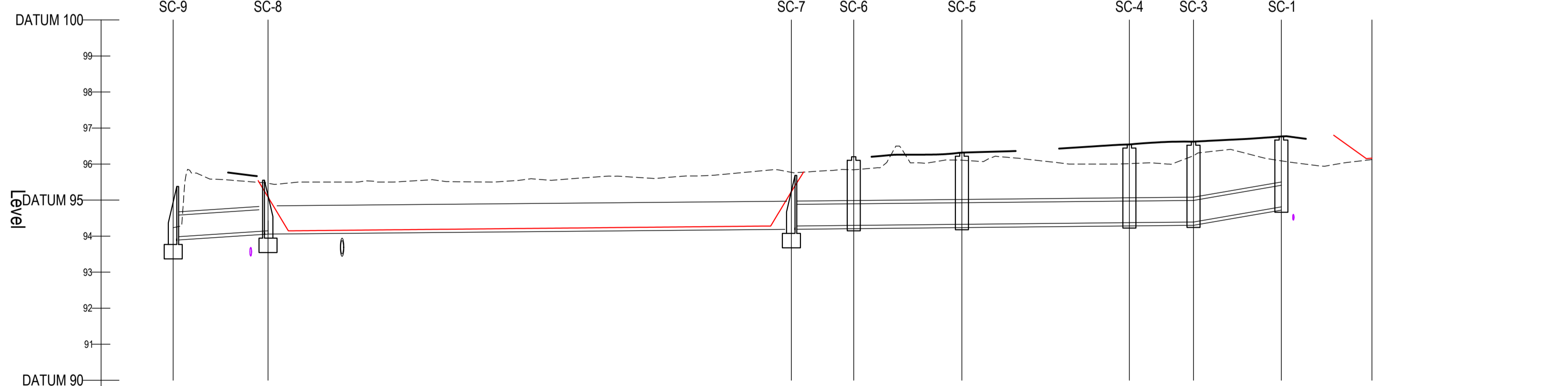
SCALE: H 1:500,V 1:100. DATUM: 90.000



COVER LEVEL		95.156		95.381		94.983
INVERT LEVEL		92.841		92.941		93.305
DEPTH (m)		2.315		2.440		1.682
DISTANCE (m)		20.00		62.00		
PIPE SLOPE		1:200		1:170		
PIPE SIZE		225mm		225mm		

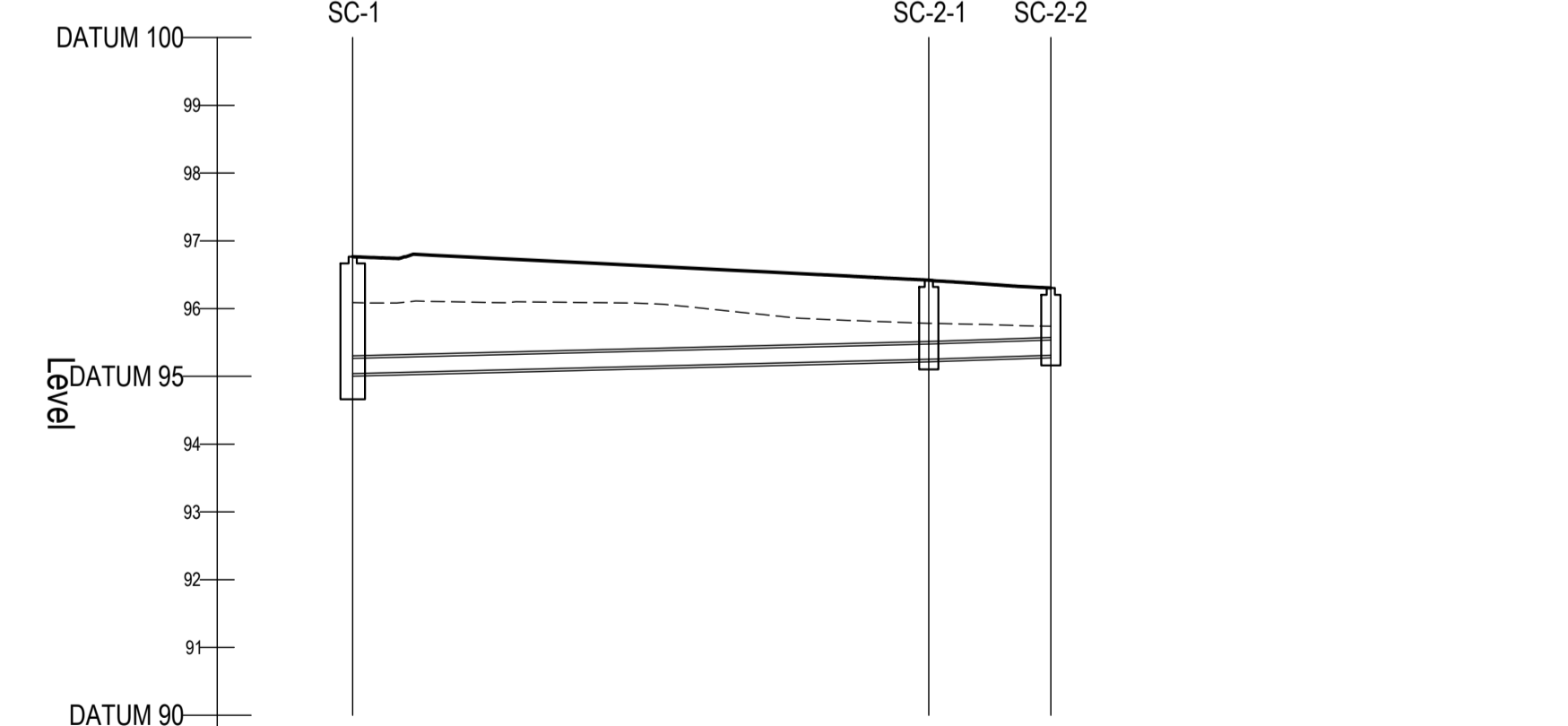
KEY
--- EXISTING GROUND PROFILE
— PROPOSED GROUND PROFILE

SCALE: H 1:500,V 1:100. DATUM: 90.000



COVER LEVEL		94.865		95.119		95.371		95.318		95.544		95.766
INVERT LEVEL		93.974		94.148		94.230		94.327		94.374		94.572
DEPTH (m)		0.891		0.971		1.091		1.066		1.171		1.194
DISTANCE (m)		13.15		72.56		8.65		15.00		23.22		12.18
PIPE SLOPE		1:76		1:500		1:500		1:500		1:500		1:29
PIPE SIZE		600mm		600mm		600mm		600mm		600mm		600mm

SCALE: H 1:500,V 1:100. DATUM: 90.000



COVER LEVEL		96.766		96.421		96.304
INVERT LEVEL		95.040		95.232		95.312
DEPTH (m)		1.726		1.188		0.992
DISTANCE (m)		42.50		9.00		
PIPE SLOPE		1:200		1:150		
PIPE SIZE		225mm		225mm		

P01	13/06/22	STAGE 3 SHD	PJC	NGC
rev	date	description	by	chkd.
client approval	A - Approved			
	B - Approved with comments			
	C - Do not use			
suitability	issue purpose			
S2 - INFORMATION	PLANNING			

DBFL Consulting Engineers
Civil, Structural & Transportation Engineering
www.dbfl.ie

DUBLIN OFFICE: Ormond House, Upper Ormond Quay, Dublin 7, D07 W704
PHONE: +353 1 453 4300

CORK OFFICE: 14 South Mall, Cork, T12 CT91
PHONE: +353 21 2024538

WATERFORD OFFICE: Suite 10 The Atrium, Maritime Gate, Canada Street, Waterford, X91 W028
PHONE: +353 51 309 500

project ref.
NEWCASTLE SOUTH

drawing title
SURFACE WATER LONGITUDINAL SECTIONS SHEET 1

client
CAIRN HOMES PROPERTIES LTD

designed by
NGC

author
PJC

scale
H: 1:500 V: 1:100

sheet size
A1

drawing no.
210026-DBFL-CS-SP-DR-C-3201

revision
P01